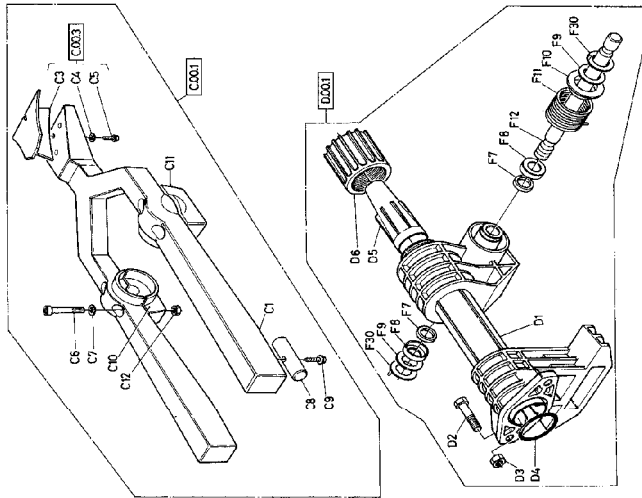


# DESPIECE CAÑÓN KOMET TWIN MAX

Circular



Sectorial

